

weighing
filling
checking
registration
communication



Servo Berkel Prior

Unified Weighing Solutions



Our product lines for a custom made filling solution!



Professional Filling lines

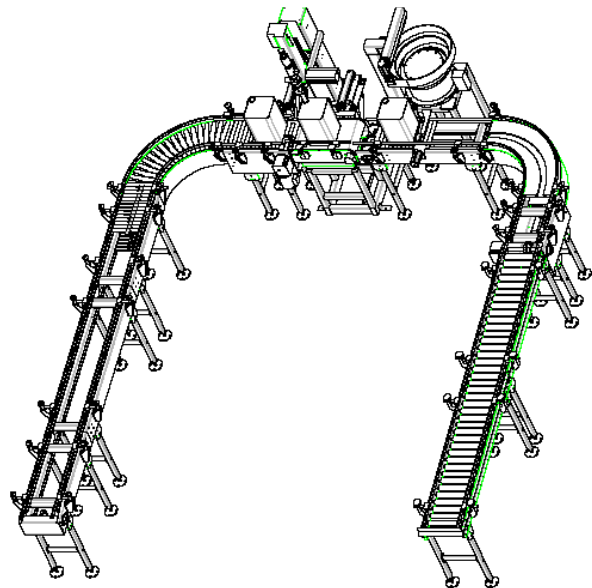
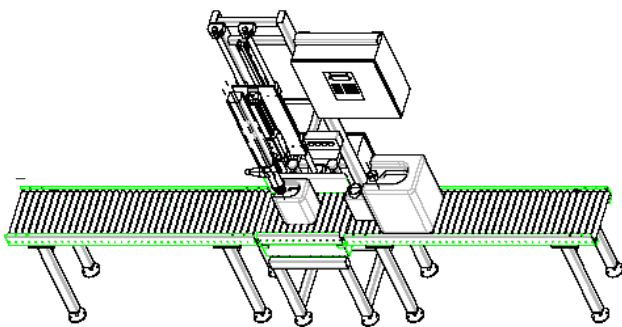
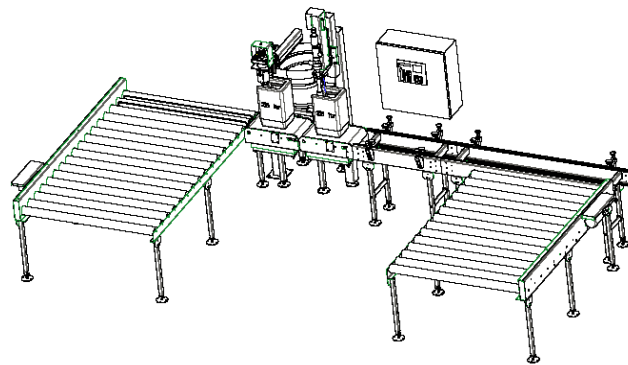
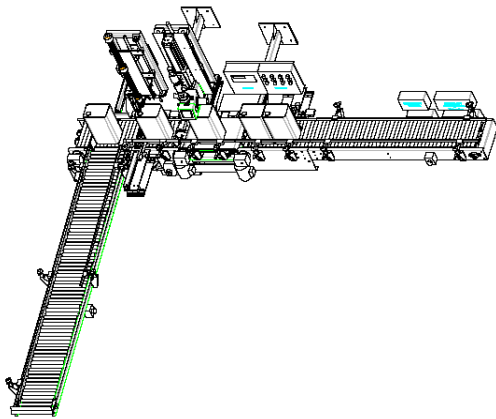
Filling lines

Servo Berkel Prior specializes in engineering and manufacturing of different types of weighing machines. They find frequent and world wide application in many branches of industry.

For over 70 years Servo Berkel Prior produces standard and dedicated systems for the filling of liquids in all kinds of packaging. Each system meets the specific requirements of the end user.

Semi- or Fully automatic Small Packaging filling lines for the filling of tins, pails, jerry cans etc.

- Filling from 3 till 30 kg.
- Dosing valves with nozzles for top-, bottom- and under level filling with different lengths and diameters
- Automatic positioning for filling possible
- Supply and discharge systems for empty or filled packaging's, palletizing units (robots)
- Automatic closing systems (with capping), nitrogen dosing through filling nozzle (food requirements or against imploding of the packaging)
- ATEX versions Zone 1 and 2
- Printers for lists and labels, inkjet printers etc.
- Our filling stations can be delivered in painted mild steel, stainless steel 304 and 316L; dosing valves, nozzles available in stainless steel 304 and 316L (grinded for food specifications) and in polypro pane

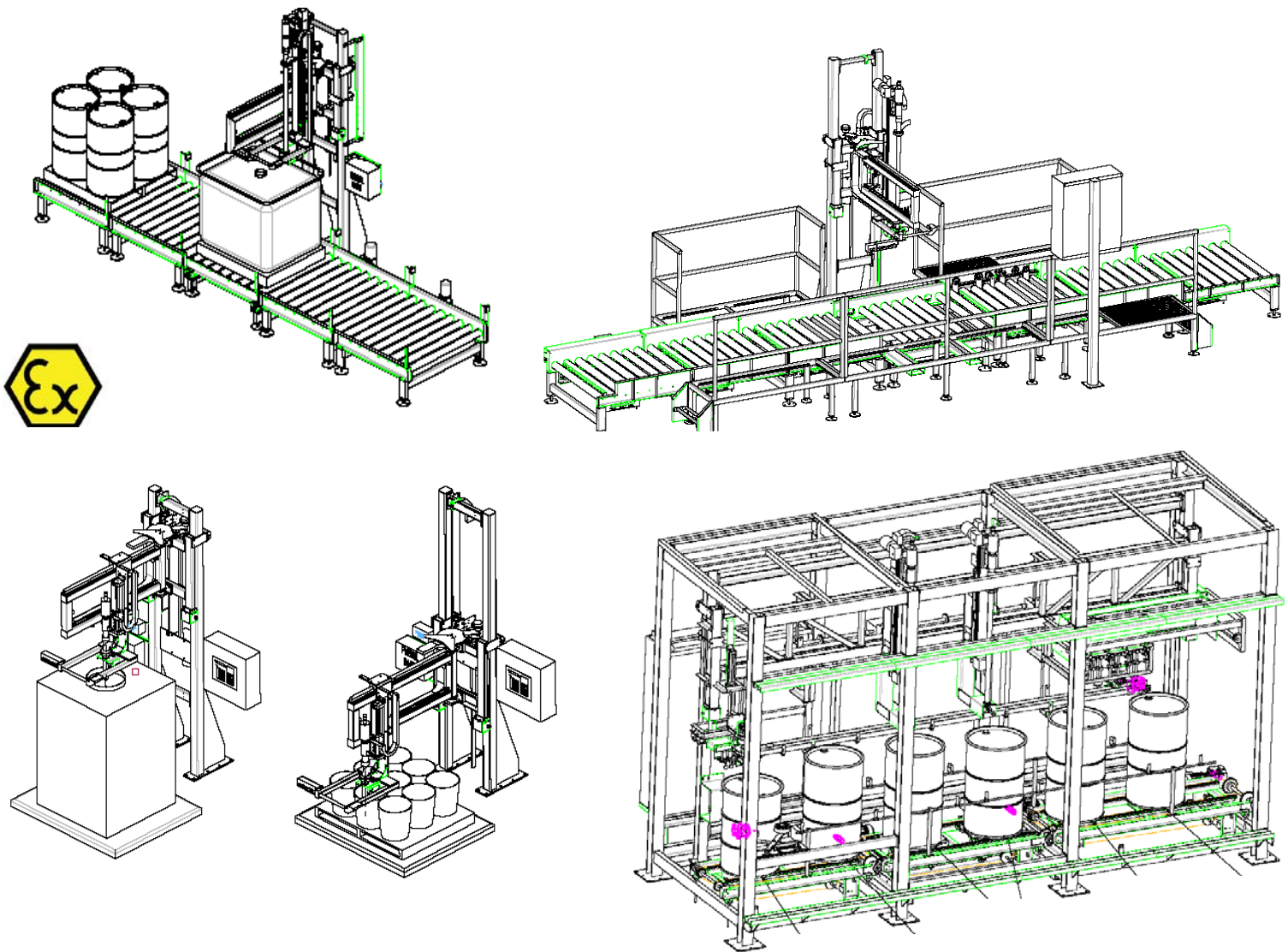


Professional Filling lines

Filling Lines

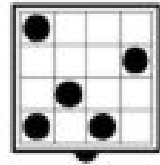
Semi- or Fully automatic Large Packaging filling lines for the filling of hobbocs, plastic- and steel drums, stainless steel containers, IBC's etc.

- Filling from 60 till 1500 kg
- Filling in line systems and also for the filling of packaging on a pallet
- Dosing valves with nozzles for top- , bottom- and under level filling with different lengths and diameters
- Supply and discharge systems for empty or filled packaging's, palletizing units (robots)
- Automatic closing systems (with capping), nitrogen dosing through filling nozzle (food requirements or against imploding of the packaging)
- ATEX versions Zone 1 and 2
- Printers for lists and labels, inkjet printers etc.
- Our filling stations can be delivered in painted mild steel, stainless steel 304 and 316L; dosing valves, nozzles available in stainless steel 304 and 316L (grinded for food specifications) and in polypro pane



Professional Filling lines

Filling Lines



Quality guarantee



Professional Filling lines

Servo Berkel Prior B.V.

Jan Evertsenlaan 4 - NL-2224 SV Katwijk
P.O.Box 2032 - NL-2220 BA Katwijk

T. +31 (0) 71 403 01 01
F. +31 (0) 71 403 23 17
E. sales@servoberkelprior.eu
www.servoberkelprior.eu